

STILI®

Robinet à Soupape

**Réf.
101 005**

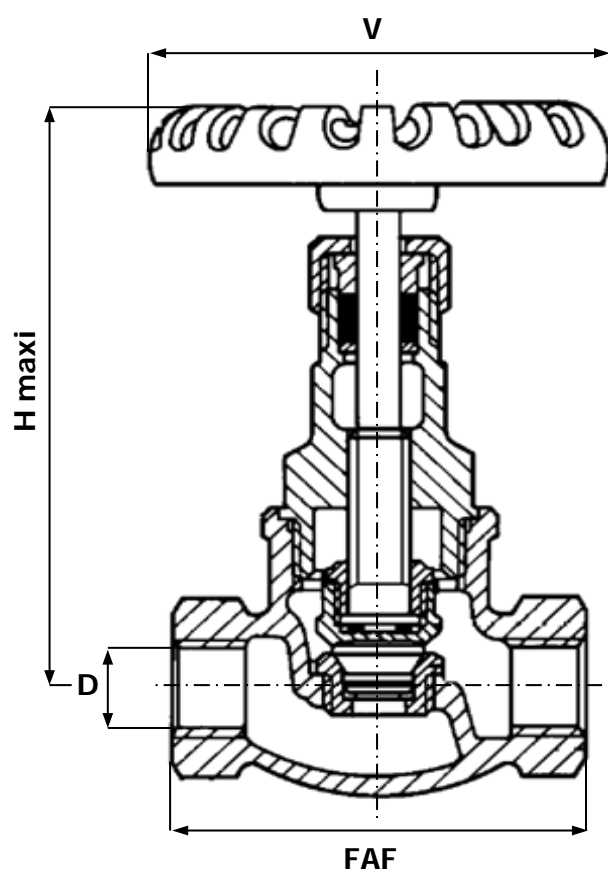
INOX

97/23 CE Catégorie I

- » CHAPEAU VISSÉ
- » MÉTAL / MÉTAL

- » BSP
- » PN16

- » TMS : 180°C
- » PMS : 16B (1)



| | |
|-------------------------------|----------|
| CORPS / BODY | INOX 316 |
| CHAPEAU / BONNET | INOX 316 |
| SOUPAPE / DISC | INOX 316 |
| SIÈGES / SEATS | INOX 316 |
| TIGE / STEM | INOX 316 |
| JOINT DE CORPS / GASKET | PTFE |
| PRESSE ÉTOUPE / PACKING GLAND | PTFE |

| DN | 8 | 10 | 15 | 20 | 25 | 32 | 40 | 50 | 65 | 80 | 100 | 125 | 150 | 200 | 250 | 300 | 350 | 400 | 450 | 500 | 600 | |
|--------|------|------|------|------|------|--------|--------|------|--------|----|-----|-----|-----|-----|-----|-----|-----|-----|-----|-----|-----|--|
| INCHES | 1/4" | 3/8" | 1/2" | 3/4" | 1" | 1 1/4" | 1 1/2" | 2" | 2 1/2" | 3" | 4" | 5" | 6" | 8" | 10" | 12" | 14" | 16" | 18" | 20" | 24" | |
| FAF | | | 65 | 80 | 90 | 105 | 120 | 140 | | | | | | | | | | | | | | |
| H maxi | | | 85 | 95 | 105 | 125 | 135 | 155 | | | | | | | | | | | | | | |
| D | | | 12 | 15 | 20 | 25 | 32 | 40 | | | | | | | | | | | | | | |
| V | | | 70 | 70 | 80 | 90 | 90 | 100 | | | | | | | | | | | | | | |
| MASSE | | | 0,35 | 0,55 | 0,85 | 1,75 | 2 | 2,45 | | | | | | | | | | | | | | |

Unités : mm, Kg.